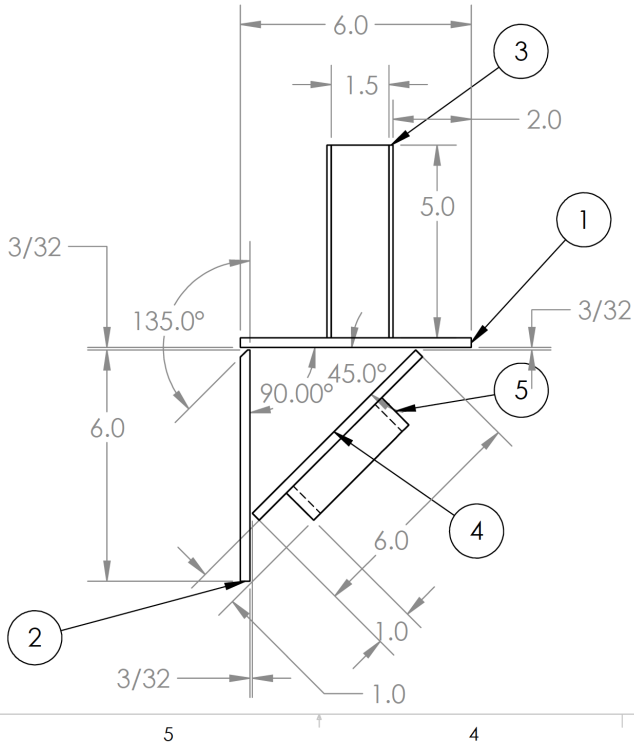
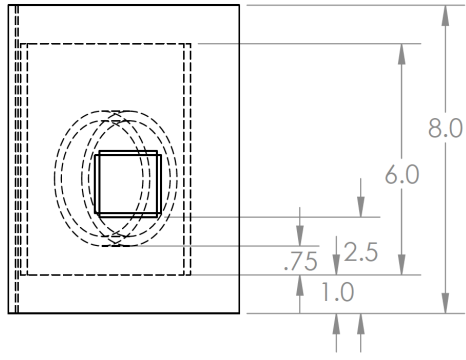


ITEM NO.	DESCRIPTION	QTY.
1	6X8X1/4 PLATE	1
2	6X8X1/4 PLATE W/45 DEGREE BEVEL	1
3	1.5" X 5" X 12 GAGE PLATE	4
4	6X6X1/4 PLATE	1
5	3INCH SCHEDULE 40 PIPE 1 INCH LONG	1



SkillsUSA		
TITLE: GMAW ASSEMBLY DETAIL		
SIZE <b>A</b>	DWG. NO.	REV
SCALE: 1:8		SHEET 1 OF 2

5

4

3

2

1