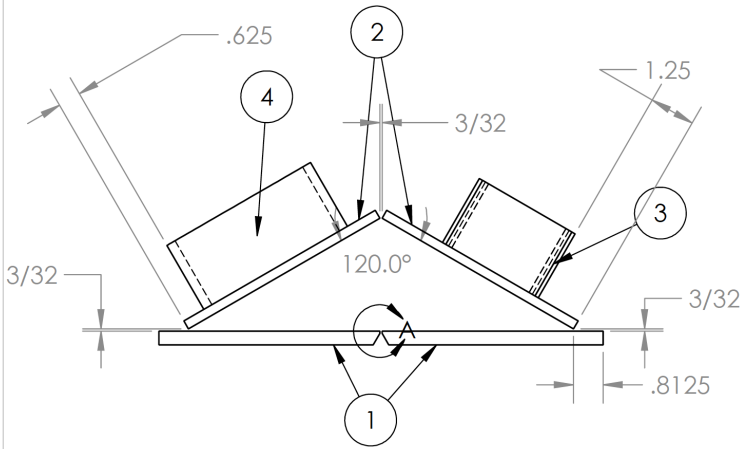
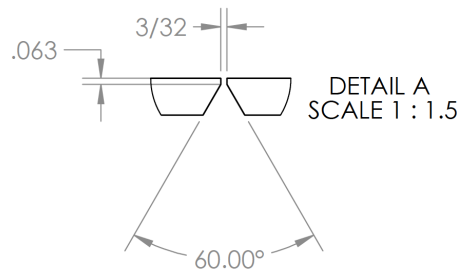
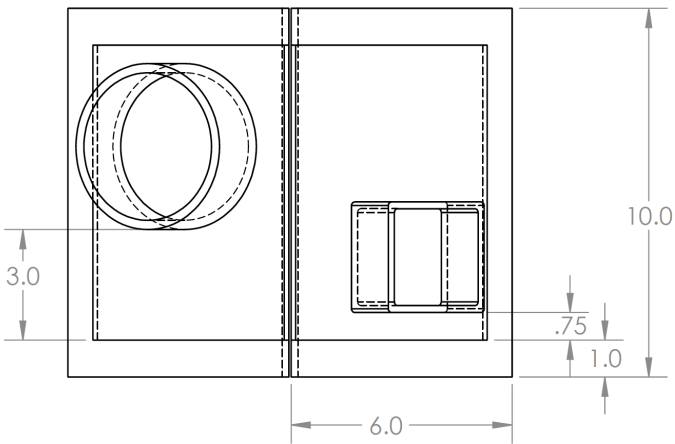


ITEM NO.	DESCRIPTION	QTY.
1	6" x 10" x 3/8 PLATE	2
2	6" X 8" 1/4 " PLATE	2
3	3" X 3" X 3/16" X 2"LONG SQUARE TUBE	1
4	4" SCHEDULE 40 BLACK PIPE 2" LONG	1



SkillsUSA		
TITLE: FCAW WELD LAYOUT		
SIZE A	DWG. NO.	REV
SCALE: 1:4		SHEET 1 OF 2

5 4 3 2 1